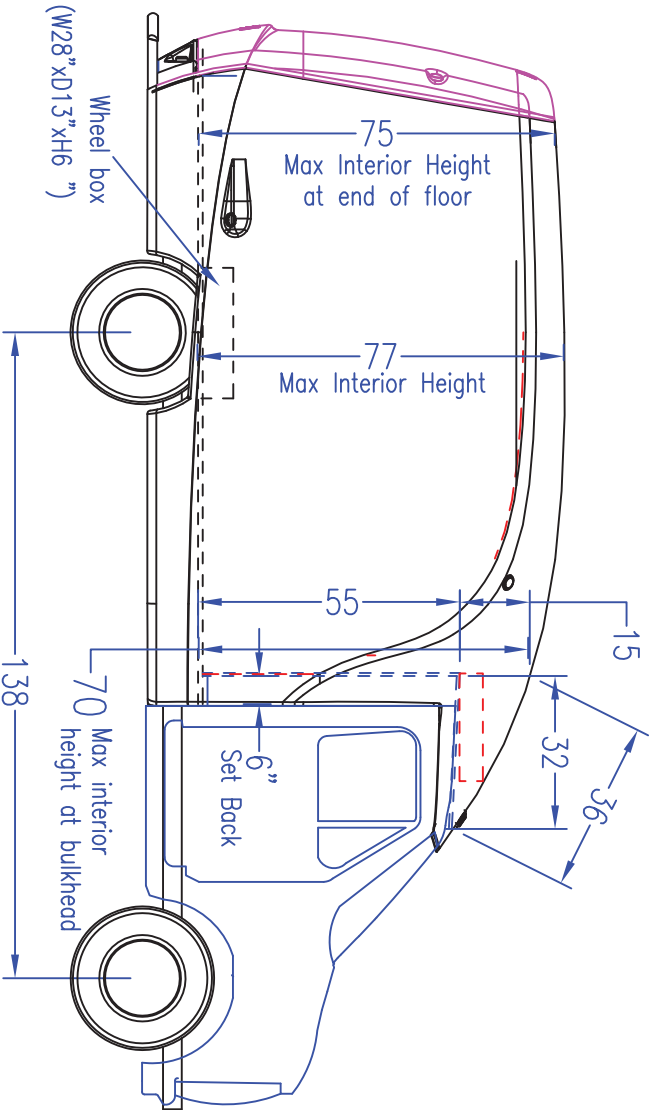
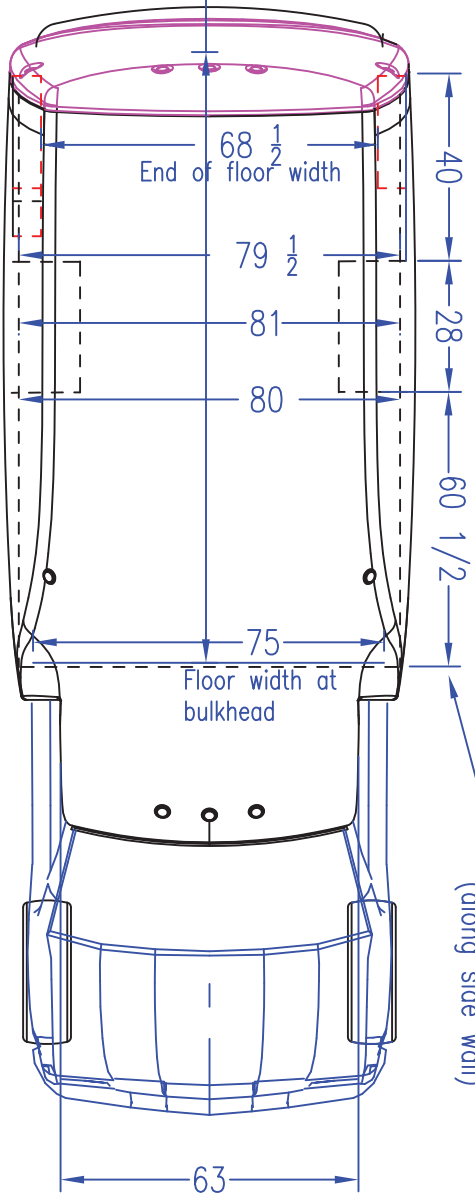


Center floor length
130 1/2



DRAWN	S. I.	DATE	Jan 25, 06
CHECK		DATE	
APPR.		DATE	
TOLERANCE UNLESS NOTED FRACTION DECIMAL			
		XX	±.015
		XXX	±.005
TITLE:		Aerocell SRW---Ford w/ Flip-up door	
MATERIAL		DIM	
SCALE		SCALE	
NO.		3190-233-A	
DATE		Jan 25, 06	
REV.		4	



UNICELL LIMITED
50 INDUSTRIAL STREET
TORONTO, ONTARIO M4G 1Y9 TEL: 421-8845